



July 2010

Polyfoam® Floorfoam® Easy Edge Strip

For

Description

Floorfoam Easy Edge Strip is for use at the floor perimeter. It is a closed cell extruded polyethylene foam available in roll form. The closed cell nature of Floorfoam Easy Edge Strip makes it excellent at cushioning vibrations and isolating floors at junctions.

Application

It is a 150mm wide strip of 10mm thick Floorfoam Easy Edge Strip, scored to enable it to be easily folded around the perimeter of a floor screed – see dimensional drawing. The top section is also scored at 10mm intervals to make trimming at the skirting board level easier. The vertical section incorporates a self adhesive strip with release tape. This enables the Floorfoam Easy Edge Strip to be held securely in place when the screed is laid. Floorfoam Easy Edge Strip used in conjunction with Polyfoam Floorfoam 5 and 25mm Polyfoam Floorboard Standard or 25mm Rocksilks Acoustic Floor Slab can provide an Approved Document E PCT compliant floor solution. Floorfoam Easy Edge Strip has been developed to enable the user to more practically comply with the requirement for an isolating layer at the perimeters of screeded floors. Floorfoam Easy Edge Strip is used at the perimeter of the floor to isolate the screed from the surrounding structure. When used together, Floorfoam Easy Edge Strip and Polyfoam Floorfoam can completely isolate the floor screed from the surrounding structure to eliminate the transfer of flanking and impact sound. Polyfoam Floorfoam Easy Edge Strip can also be used as an isolating perimeter strip in underfloor heating under concrete screed to allow thermal movement in the screed layer.

Performance

Acoustic

The closed cell nature and resilience of Polyfoam Floorfoam Easy Edge Strip makes it excellent at cushioning vibrations and isolating floors at junctions.

Benefits

- Excellent acoustic performance
- Pre-scored for easy folding and installation
- Adhesive tape for easy positioning
- Ideal for use in underfloor heating
- Compatible with traditional and liquid concrete screeds



Polyfoam® Floorfoam® Easy Edge Strip

Standards

Polyfoam Floorfoam Easy Edge Strip is manufactured in accordance with BSI Quality Assurance Standard BS EN ISO 9001.

Environmental

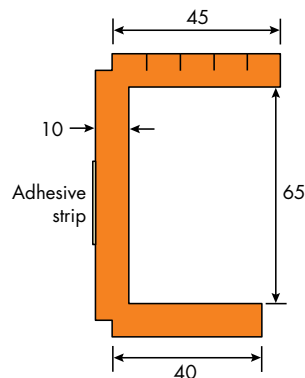
Polyfoam Floorfoam Easy Edge Strip is free from CFCs, HCFCs and any other material with ozone depletion potential in its manufacture and content and represents no known threat to the environment. Polyfoam Floorfoam Easy Edge Strip is non bio-degradable.

Handling and storage

Polyfoam Floorfoam Easy Edge Strip is easy to handle and non-irritant, no special protective clothing is required when installing it. Polyfoam Floorfoam Easy Edge Strip is supplied in rolls in polythene packs, labelled with identifying product and manufacturing data. Ensure the rolls are not stored close to open flame or other ignition source, also avoid volatile compounds and chemicals such as solvents. Where outside storage for extended periods is required cover with opaque/light coloured sheeting.

Thickness	Width	Length	Rolls per pack
(mm)	(mm)	(m)	
10	40x65x45	25	8

All dimensions are nominal



Knauf Insulation Ltd

PO Box 10
Stafford Road
St Helens
Merseyside
WA10 3NS

Customer Service (sales)

Tel: 0844 800 0135

Technical Advisory Centre

Tel: 01744 766 666

Literature

Tel: 08700 668 660

www.knaufinsulation.co.uk